

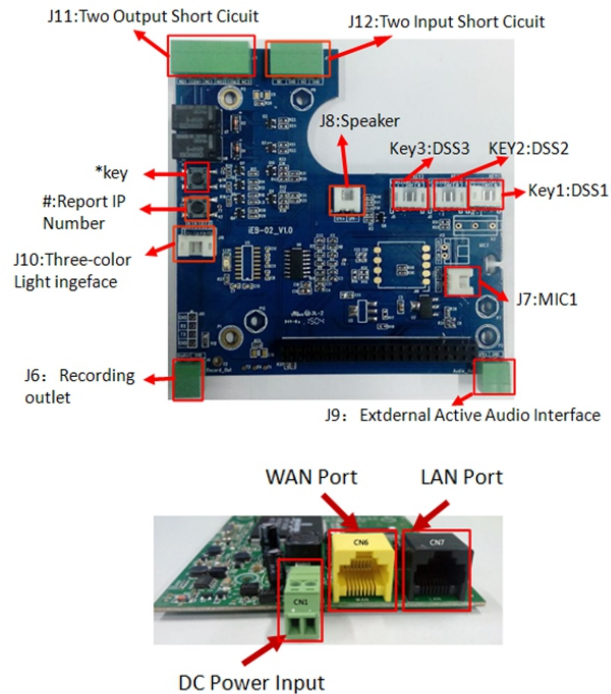
i12 Intercom Installation Diagram



Fanvil Technology Co., Ltd
www.fanvil.com

Interface Specification

Network, power supply schematic



[Notice] LAN port Support two modes:
Routing mode(It can assign IP Address to LAN port the via the DHCP for each connected device)
Bridge Mode(LAN port and WAN port are in the same network segment)

Port description

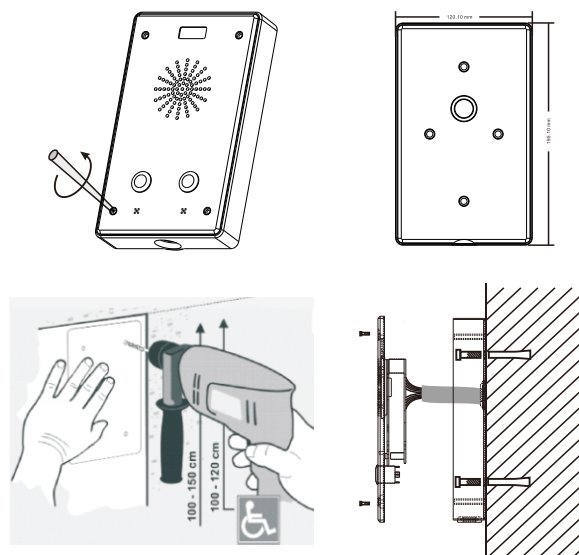
Port	Description	Feature	Picture
CN1	DC Power Input port	Input Range:+10~+14V/1.5A DC (Notice: Plus-n-Minus connection of the Power)	
CN6	WAN Port	10M/100M Adaptive Ethernet port, connected to the network	
CN7	LAN Port	10M/100M Adaptive Ethernet port, connected to the computer(which can be configured to routing mode, or to bridge mode)	
J9	External Active Speakers port	One is the audio signal line, one is the GND line(Please connect to the GND line, otherwise there will be noise)	
J6	Audio Recording output port	By mixing equipment and remote call voice output. One is the audio signal line, one is the GND line(Please connect to the GND line, otherwise there will be noise)	
Key1/key2/key3	DSS key port (programmable keys)	Function keys. Can be defined hot keys, function keys(such as hanging up, hands-free), multicast keys	
J11	Short circuit output control Port	Used to control electric locks, alarm lamp and so on	
J12	Short circuit Input detection Port	Used to connect to infrared detector, magnetic switch, vibration sensor and other input devices	
K3	Tamper switch	To prevent the remove of host. Need to be reset by serve or web after the alarm ring.	
J10	Status indicator light port	For an external status instructions (calling, ringing, network/registered)	

Installation Diagram

Equipment installation

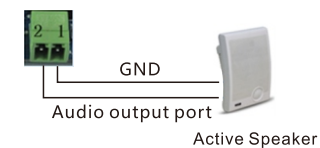
Wall-mounted:

- 1) Use built-in screw tool to remove the surface shell;
- 2) Based installation size chart, draw the mounting hole in the wall, use an electric drill to make well location for each hole.
- 3) Plug the rubber into the wall, and fix the shell onto the wall with its tapping screw.
- 4) After connecting the power cord and network cable, then fix the surface shell with anti-theft screw.

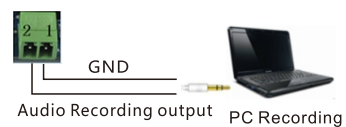


Port instructions

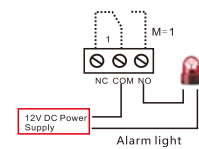
J9: External Active Speakers Port	
2	1
SPK+	GND
Audio output port	Ground Line



J6: Audio Recording output port	
2	1
Audio+	GND
Audio Recording output port	Ground Line



J11: Short circuit output Port					
Output Port1(OUT2)			Output Port1(OUT1)		
6	5	4	3	2	1
NC2	COM2	NO2	NC1	COM1	NO1
Normal close	Common terminal	Normal Open	Normal close	Common terminal	Normal Open



NO: Under the idle state is disconnected (normally open);
COM: Contactor of the Relay (middle);
NC: Under the idle state is connected (normally close);

J12: Short circuit Input Port			
Input Port2(IN2)		Input Port1(IN1)	
4	3	2	1
GND	IN2	GND	IN1
Input Port2	Input Port2	Input Port1	Input Port1

